



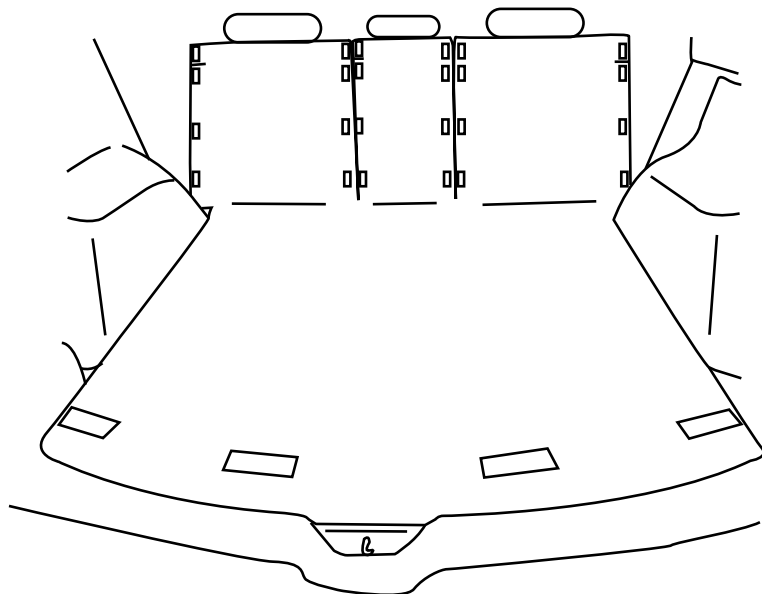
Genuine Accessories

Installation Instructions--Users Instructions

Part Number
0000-8K-R05

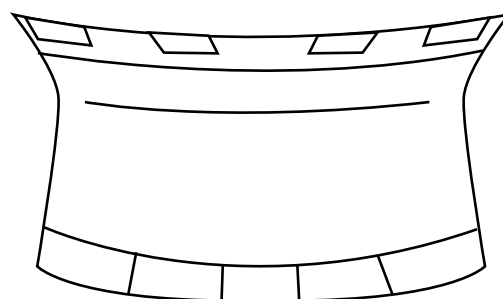
Cargo Liner

Applicable Models
Mazda CX-5 >2013



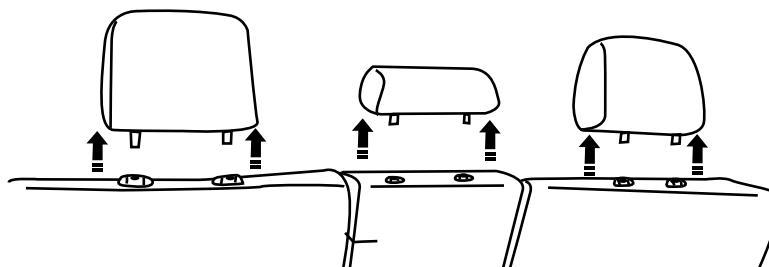
Cargo Liner (Qty. 1)

NOTE: If dealer installed, provide these instructions to the final customer for future reference.

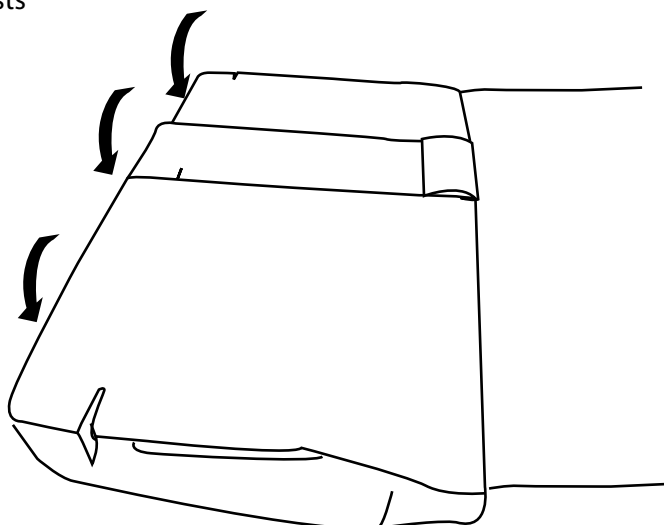


Bumper Guard (Qty. 1)

1 Remove Headrests

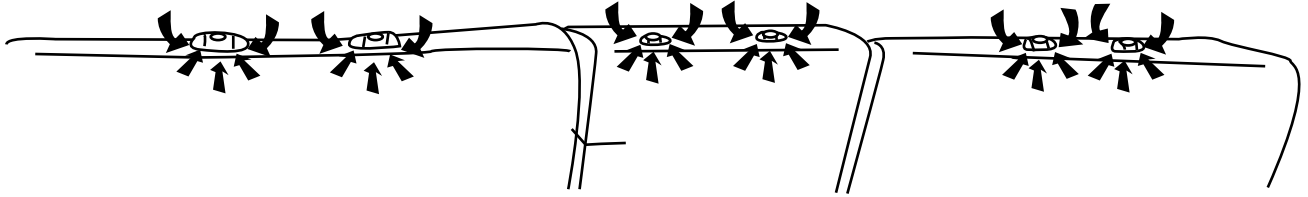


2 Lower Backrests



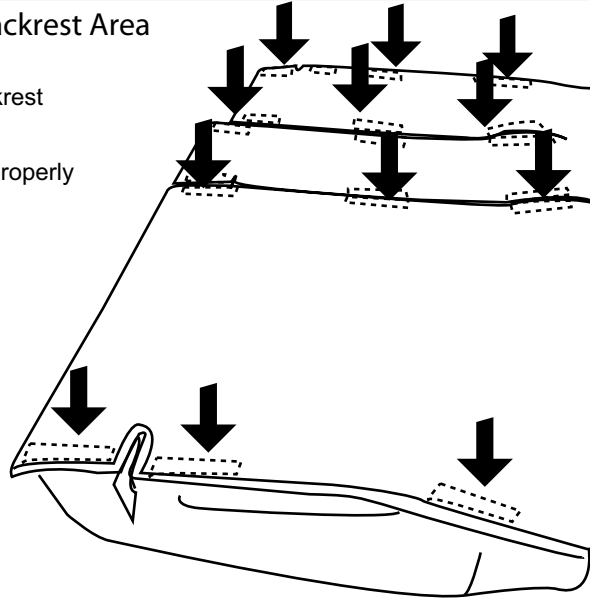
3 Install Cargo Liner at Rear Headrest Area

- A. Tuck fabric underneath the headrest release buttons



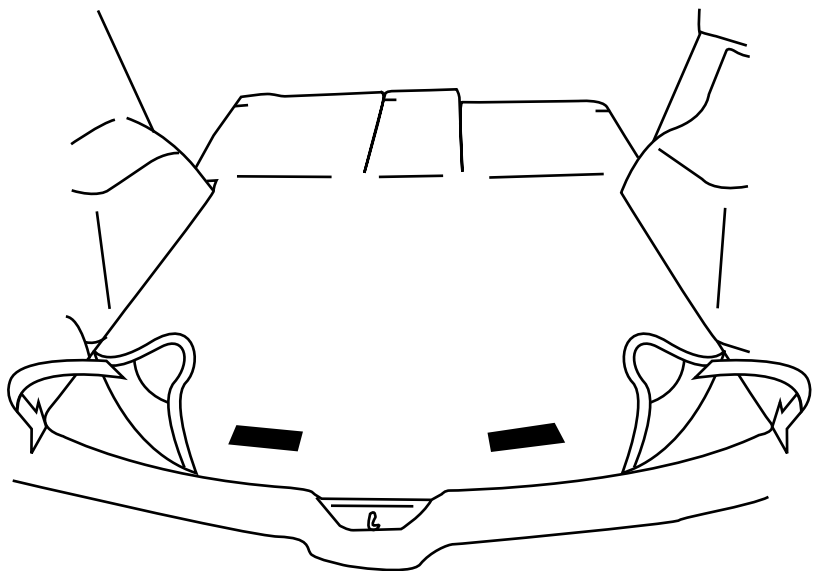
4 Install Cargo Liner at Backrest Area

- A. Attach Velcro directly onto the backrest area.
- B. Make sure Cargo Liner is aligned properly to the backrest area.



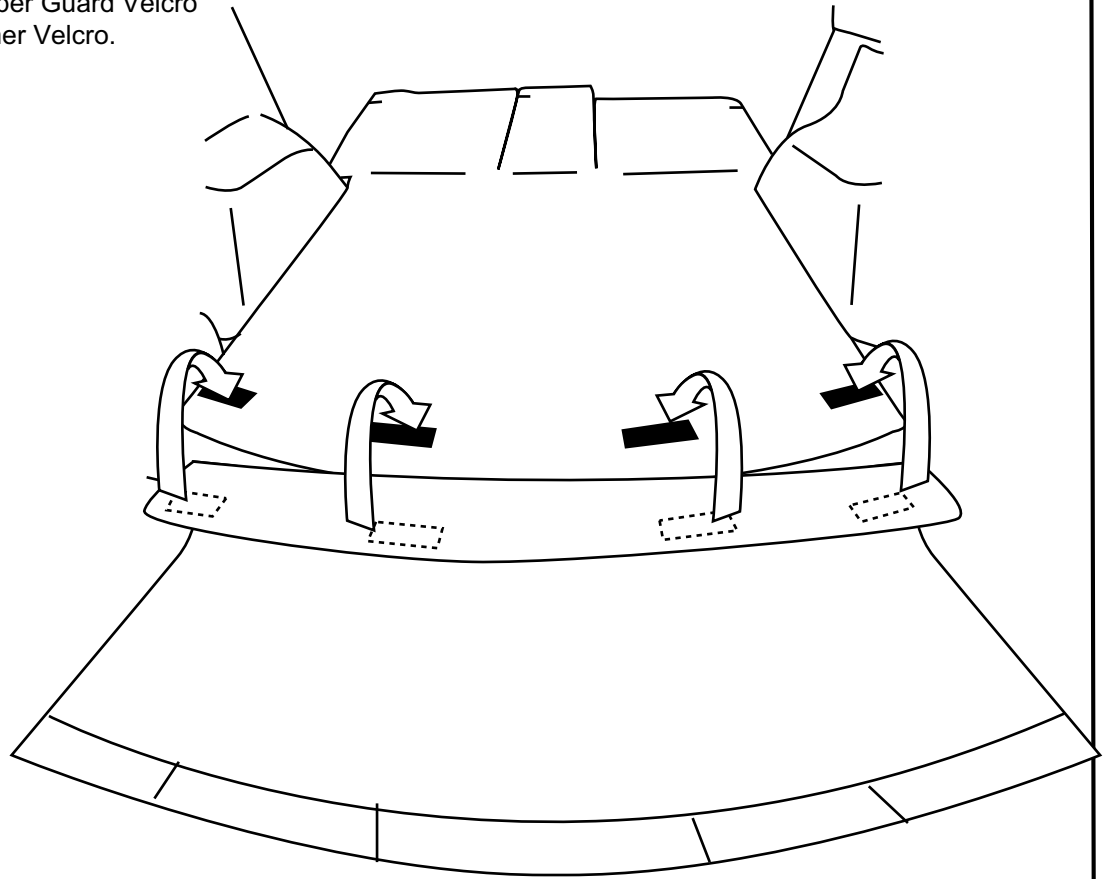
5 Install Cargo Liner at Cargo Area

- A. Attach corner ears to rear tray.
- B. Make sure Cargo Liner is aligned properly to the Cargo Area.



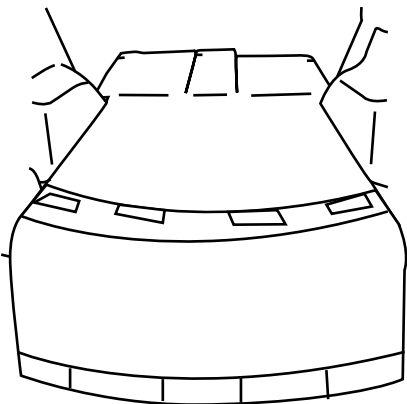
6 Install Bumper Guard

- A. Attach Bumper Guard Velcro to Cargo Liner Velcro.



7 Using the Bumper Guard

- A. When loading your vehicle, simply hang the Bumper Guard over the vehicle bumper.
- B. When not in use, simply roll the Bumper Guard back into the Cargo Area.



8 Care and Cleaning

- A. Always remove Bumper Guard before washing vehicle.
- B. Hand clean Bumper Guard using mild soap, rinse thoroughly with clean water and line dry completely. Do not machine dry!
- C. Use Mazda Vinyl/Leather Protectant (or equivalent) to preserve color and finish.